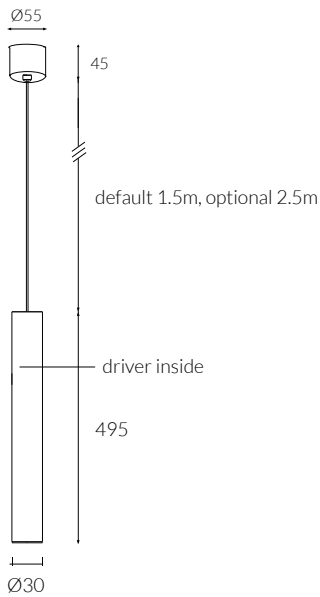


ORBIT

Φ30 Surface Pendant

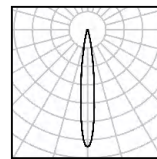


Fixed Optic



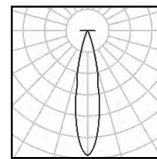
-  White Painted
-  Black Painted

- IP Rating:** IP20
- Optics:** 15°/25°/30°/50°
- UGR:** < 10
- CRI:** 92Ra
- Lifetime:** >50,000 hrs (L70 B10)
- CCT:** 2700K/3000K
- Typical Source Efficacy (lm/W):** 113
- Control:** On/off, Mains Dim, 0/1-10V, Dali, Zigbee, Casambi
- Binning:** 2 Step MacAdams
- Input:** AC220-240V 50/60Hz
- Output:** DC 3V 300mA 1.3W
DC 3V 650mA 3W
- Ambient temp:** -20 °C to 45 °C
- Class:** II



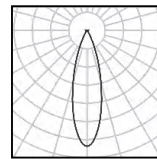
3W Ra92 3000K 15°

h(m)	E(lx)	D(m)
0.5	4168	0.11
1.0	1042	0.23
1.5	463	0.34
2.0	261	0.46
2.5	167	0.57
3.0	116	0.65



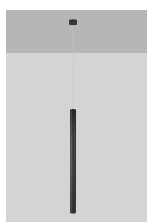
3W Ra92 3000K 25°

h(m)	E(lx)	D(m)
0.5	1872	0.18
1.0	468	0.36
1.5	208	0.55
2.0	117	0.73
2.5	75	0.91
3.0	52	1.09

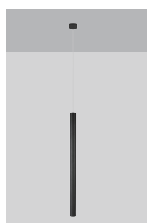


3W Ra92 3000K 30°

h(m)	E(lx)	D(m)
0.5	855	0.25
1.0	214	0.50
1.5	95	0.75
2.0	53	1.00
2.5	34	1.26
3.0	24	1.51



W system	lm system	optics	code
1.3W	68	15°	MFP301.3W-30N15-W
1.3W	79	25°	MFP301.3W-30N25-W
1.3W	85	30°	MFP301.3W-30N30-W
1.3W	82	50°	MFP301.3W-30N50-W



W system	lm system	optics	code
3W	148	15°	MFP3003W-30N15-W
3W	157	25°	MFP3003W-30N25-W
3W	179	30°	MFP3003W-30N30-W
3W	162	50°	MFP3003W-30N50-W