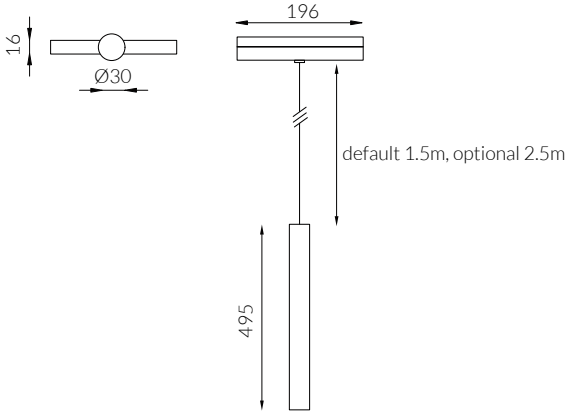
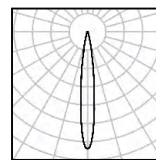


ORBIT 48V

Φ30 48V Pendant

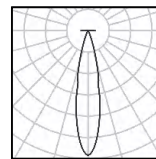


IP Rating:	IP20
Optics:	15°/25°/30°/50°
UGR:	<10
CRI:	92Ra
Lifetime:	>50,000 hrs (L70 B10)
CCT:	2700K/3000K
Typical Source	
Efficacy (lm/W):	113
Control:	On/off, Mains Dim, 0/1-10V, Dali, Zigbee, Casambi
Binning	2 Step MacAdams
Input:	48 VDC
Output:	DC 3V 300mA 1.3W DC 3V 650mA 3W
Ambient temp:	-20 °C to 45 °C
Class:	III



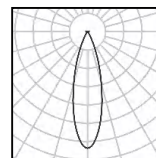
3W Ra92 3000K 15°

h(m)	E lx	D(m)
0.5	4168	0.11
1.0	1042	0.23
1.5	463	0.34
2.0	261	0.46
2.5	167	0.57
3.0	116	0.65



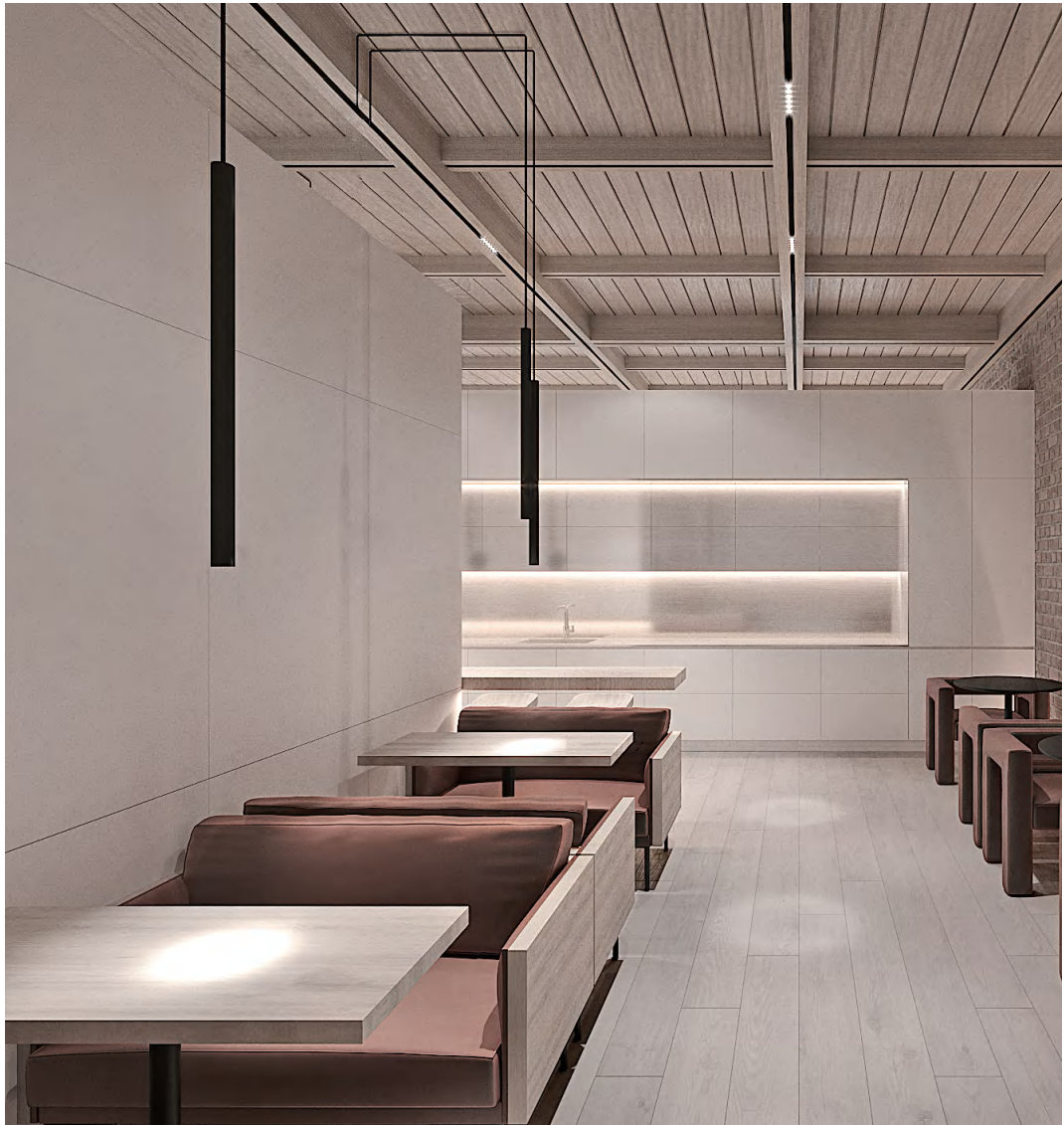
3W Ra92 3000K 25°

h(m)	E lx	D(m)
0.5	1872	0.18
1.0	468	0.36
1.5	208	0.55
2.0	117	0.73
2.5	75	0.91
3.0	52	1.09



3W Ra92 3000K 30°

h(m)	E lx	D(m)
0.5	855	0.25
1.0	214	0.50
1.5	95	0.75
2.0	53	1.00
2.5	34	1.26
3.0	24	1.51



W system	lm system	optics	code
1.3W	68	15°	M22P301.3W-30N15-W
1.3W	79	25°	M22P301.3W-30N25-W
1.3W	85	30°	M22P301.3W-30N30-W
1.3W	82	50°	M22P301.3W-30N50-W



W system	lm system	optics	code
3W	148	15°	M22P3003W-30N15-W
3W	157	25°	M22P3003W-30N25-W
3W	179	30°	M22P3003W-30N30-W
3W	162	50°	M22P3003W-30N50-W