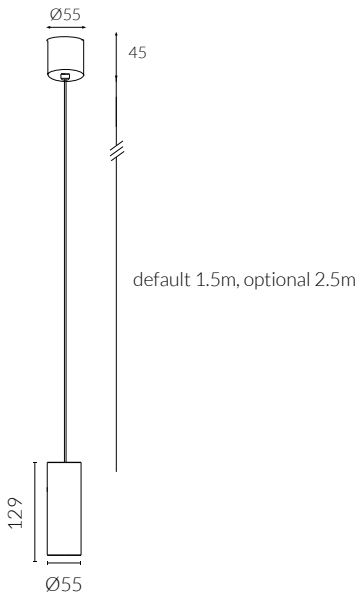


ORBIT

Φ55 Surface Pendant

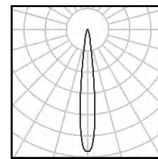


Fixed Optic



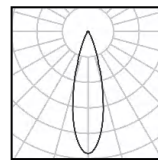
-  White Painted
-  Black Painted

- IP Rating:** IP20
- Optics:** 12°/20°/30°/40°
- UGR:** <10
- CRI:** 98Ra
- Lifetime:** >50,000 hrs (L70 B10)
- CCT:** 2700K/3000K
- Typical Source**
- Efficacy (lm/W):** 110
- Control:** On/off, Mains Dim, 0/1-10V, Dali, Zigbee, Casambi
- Binning** 2 Step MacAdams
- Input:** AC220-240V 50/60Hz
- Output:** DC 36V 250mA 10W
DC 36V 300mA 12W
DC 36V 350mA 15W
- Ambient temp:** -20 C to 45 C
- Class:** II



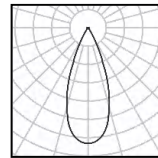
15W Ra98 3000K 12°

h(m)	E(lx)	D(m)
0.5	19862	0.11
1.0	4965	0.22
1.5	2207	0.33
2.0	1241	0.43
2.5	794	0.54
3.0	552	0.65



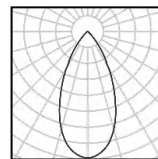
15W Ra98 3000K 20°

h(m)	E(lx)	D(m)
0.5	11574	0.18
1.0	2894	0.36
1.5	1286	0.54
2.0	723	0.72
2.5	463	0.90
3.0	322	1.08



15W Ra98 3000K 30°

h(m)	E(lx)	D(m)
0.5	6165	0.27
1.0	1541	0.54
1.5	685	0.80
2.0	385	1.07
2.5	247	1.34
3.0	171	1.61



15W Ra98 3000K 40°

h(m)	E(lx)	D(m)
0.5	2648	0.38
1.0	662	0.76
1.5	294	1.15
2.0	166	1.53
2.5	106	1.91
3.0	74	2.29



W system	lm system	optics	code
10W	639	12°	MFP5510W-30N12-B
10W	684	20°	MFP5510W-30N20-B
10W	738	30°	MFP5510W-30N30-B
10W	700	40°	MFP5510W-30N40-B



W system	lm system	optics	code
12W	747	12°	MFP5512W-30N12-B
12W	749	20°	MFP5512W-30N20-B
12W	803	30°	MFP5512W-30N30-B
12W	760	40°	MFP5512W-30N40-B



W system	lm system	optics	code
15W	808	12°	MFP5515W-30N12-B
15W	896	20°	MFP5515W-30N20-B
15W	956	30°	MFP5515W-30N30-B
15W	906	40°	MFP5515W-30N40-B