



USER MANUAL

Silicone Neon Strip



IP67

Suitable for indoor and outdoor

No trampling

No contorting

No stretching

Luminous surface of side bend < 8mm

The correct bending method of side bend ✓

Top bend

The correct bending method of top bend ✓

Luminous surface of side bend > 8mm

The correct bending method of side bend ✓

Top bend

The correct bending method of top bend ✓

Side bend

The wrong bending method of side bend ✗

Top bend

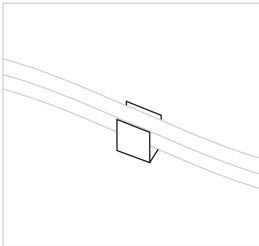
The wrong bending method of top bend ✗



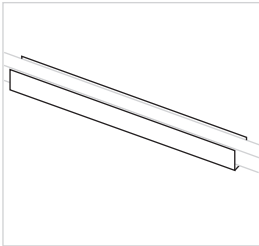
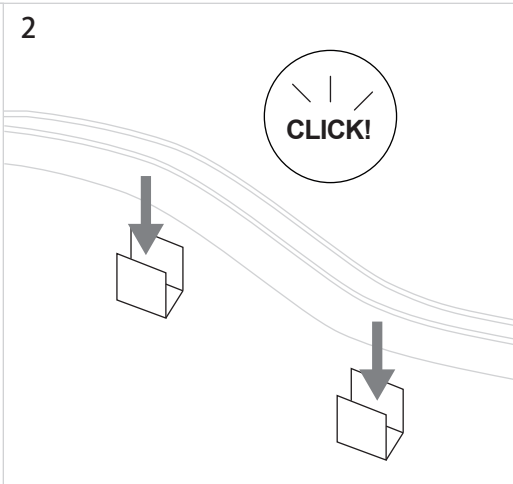
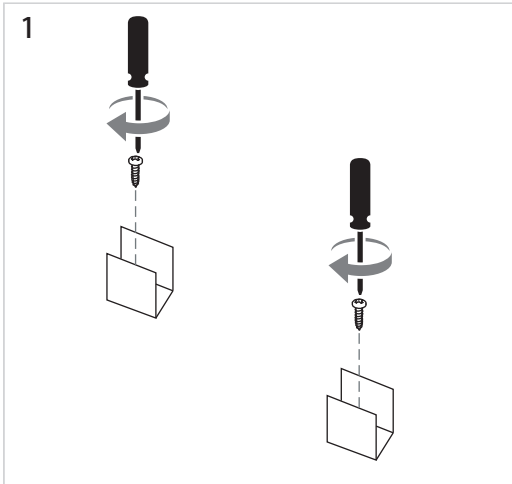
USER MANUAL

Silicone Neon Strip

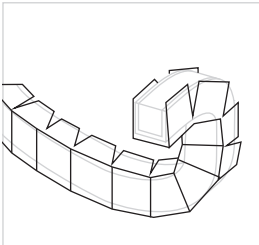
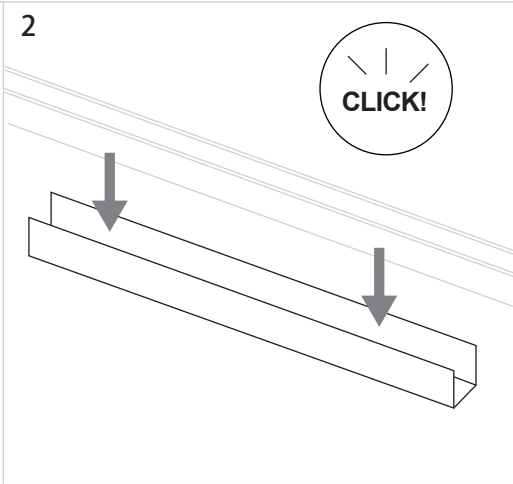
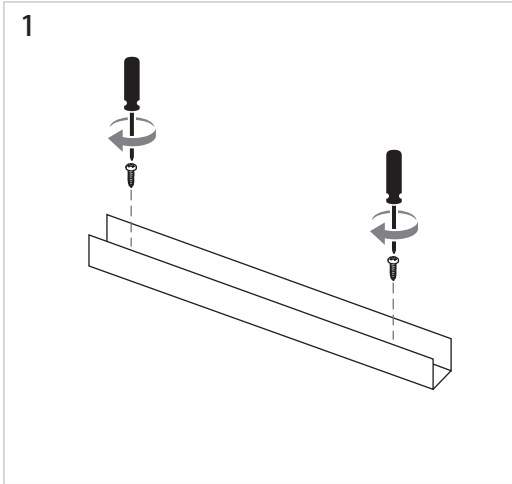
CE F III IP67



 NOT INCLUDED



 NOT INCLUDED



 NOT INCLUDED

