

EN_WARNING:

Please follow the provided instructions for guaranteed safety when using this light fixture. Keep the instructions in a safe place. To carry out the installation or whenever an operation in the light fixture is carried out, make sure of having disconnected the electric power. All light fixtures are not suitable to be covered in thermally-insulating material. To prevent any potential hazards, the manufacturer or their authorized service agent should be the only ones to replace the light source or replace a damaged external flexible cable in this light fixture.

IT_AVVERTENZA:

Si prega di seguire le istruzioni fornite per garantire la sicurezza quando si utilizza questo apparecchio di illuminazione. Conservare le istruzioni in un luogo sicuro. Prima di effettuare l'installazione o qualsiasi operazione sull'apparecchio di illuminazione, assicurarsi di aver disinserito l'alimentazione elettrica. Tutti gli apparecchi di illuminazione non possono essere coperti da materiali termo isolanti. Per prevenire eventuali pericoli, solo il produttore o il loro agente di assistenza autorizzato devono procedere alla sostituzione della sorgente luminosa o del cavo flessibile esterno danneggiato in questo apparecchio di illuminazione.

FR_AVERTISSEMENT :

Veillez suivre les instructions fournies pour garantir la sécurité lors de l'utilisation de ce luminaire. Conservez les instructions dans un endroit sûr. Avant de procéder à l'installation ou à toute opération sur le luminaire, assurez-vous d'avoir déconnecté l'alimentation électrique. Tous les luminaires ne peuvent pas être recouverts de matériau isolant thermique. Pour éviter tout danger potentiel, seul le fabricant ou son agent de service agréé doit remplacer la source lumineuse ou le câble flexible externe endommagé de ce luminaire.

DE_WARNING:

Bitte befolgen Sie die mitgelieferten Anweisungen, um die Sicherheit bei Verwendung dieser Leuchte zu gewährleisten. Bewahren Sie die Anweisungen an einem sicheren Ort auf. Stellen Sie sicher, dass vor der Installation oder bei jeder Arbeiten an der Leuchte die Stromversorgung unterbrochen ist. Nicht alle Leuchten sind für eine Abdeckung mit thermisch isolierendem Material geeignet. Um mögliche Gefahren zu vermeiden, sollten nur der Hersteller oder deren autorisierter Kundendiensttechniker die Lichtquelle austauschen oder ein beschädigtes externes flexibles Kabel in dieser Leuchte ersetzen.

ES_ADVERTENCIA:

Por favor, siga las instrucciones proporcionadas para garantizar la seguridad al usar este dispositivo de iluminación. Guarde las instrucciones en un lugar seguro. Para llevar a cabo la instalación o cualquier operación en el dispositivo de iluminación, asegúrese de haber desconectado la corriente eléctrica. No todos los dispositivos de iluminación son aptos para ser cubiertos con material aislante térmico. Para prevenir cualquier peligro potencial, el fabricante o su agente de servicio autorizado deben ser los únicos que reemplacen la fuente de luz o sustituyan un cable flexible externo dañado en este dispositivo de iluminación.

AR_تحذير:

يرجى اتباع التعليمات المقدمة لضمان السلامة عند استخدام هذا الجهاز الإضاءة. يرجى الاحتفاظ بالتعليمات في مكان آمن قبل القيام بالتركيب أو أي عملية على الجهاز الإضاءة، تأكد من فصل التيار الكهربائي. ليست جميع أجهزة الإضاءة مناسبة للتغطية بمواد عازلة حراريًا. لتجنب أي مخاطر محتملة، يجب أن يكون الشركة المصنعة أو وكيل الخدمة المعتمد هما الوحيدين الذين يقومون بتبديل مصدر الضوء أو استبدال كابل خارجيًا مرئيًا تالفًا في هذا الجهاز الإضاءة.

CN_警告:

在使用本照明装置时，请遵循提供的说明书以确保安全。请将说明书放在安全的地方。进行安装或进行任何对照明装置的操作时，请确保已断开电源。所有灯具都不适合覆盖隔热材料。为了防止潜在的危險，只有制造商或其授权的维修服务代理商可以更换光源或更换灯具中损坏的外部电线。

SURFACE PENDANT

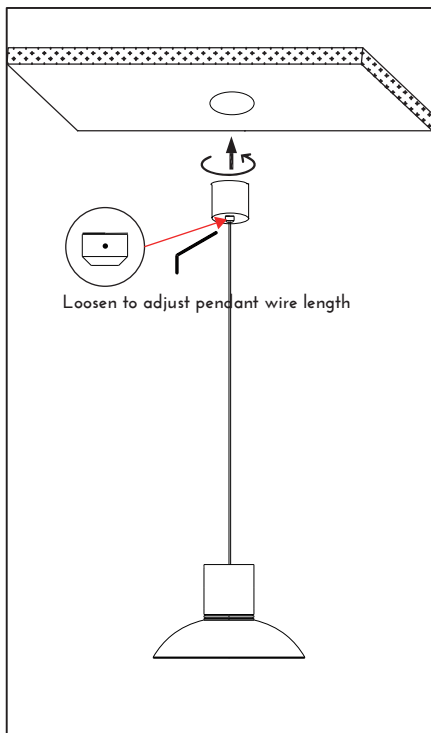
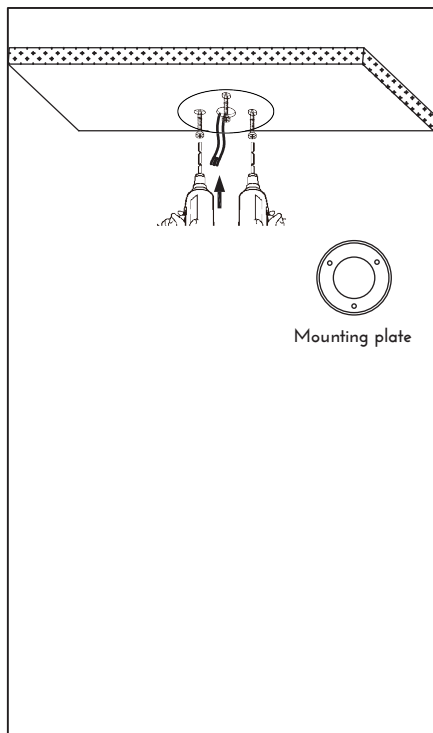
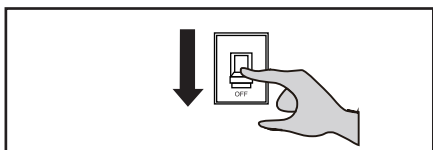
INSTALLATION

WARNING:

Please follow the provided instructions for guaranteed safety when using this fixture. Keep the instructions in a safe place.

Only authorized personnel should replace the light source in this fixture.

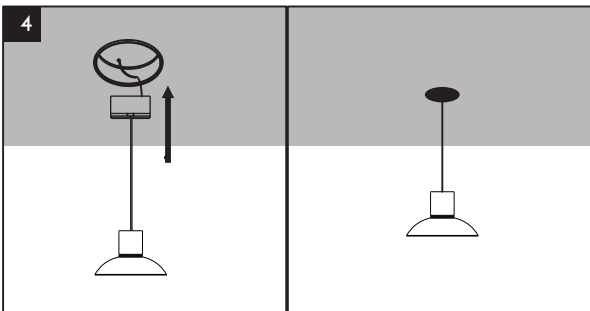
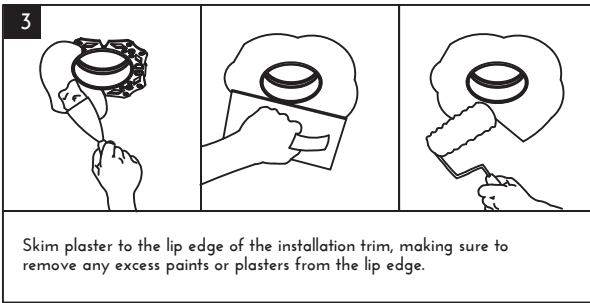
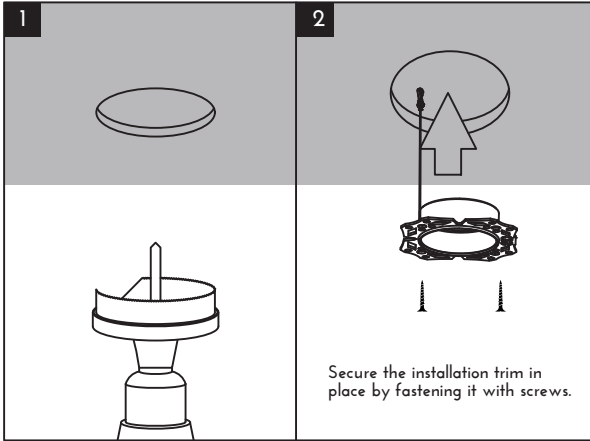
To prevent any potential hazards, the manufacturer or their authorized service agent should be the only ones to replace a damaged external flexible cable or cord in this luminaire.



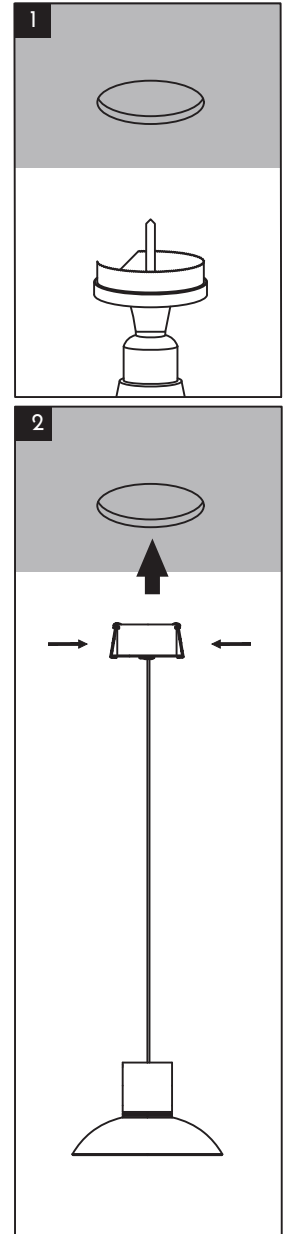
RECESSED PENDANT

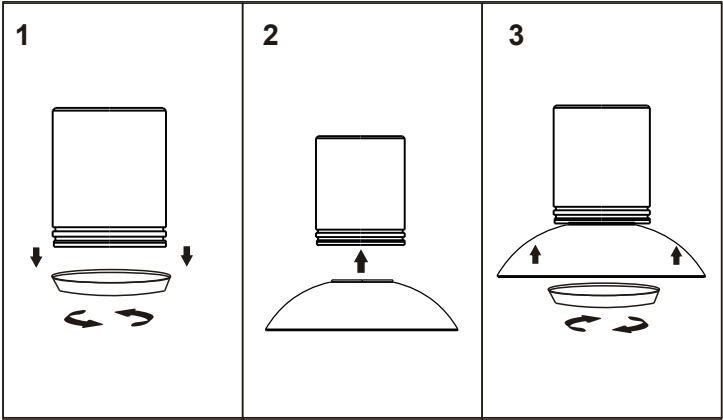
INSTALLATION

A TRIMLESS

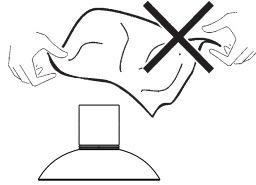


B TRIM





N.B.: Fixtures not suitable to be covered in thermally-insulating material.



Correct disposal of this product (Waste electrical & electronic equipment)



Double insulated equipment, is designed to protect against electric shock with two layers of insulation instead of basic insulation alone



The products comply with the requirements of all European Directives applicable to them and are intended for sale in the European Economic Area.

IP20

Ingress protection up to 12.5mm against solid bodies such as fingers or dust.

IP44

Protected against solid objects greater than 1 mm.



This fitting should only be installed in rooms where direct contact with water is impossible



This product contains a light source of energy efficiency class F



Min. distance from lighted objects.



Replaceable (LED only) light source by a professional



The luminaire should be positioned so that prolonged staring into the luminaire at a distance closer than 3.1 m is not expected