

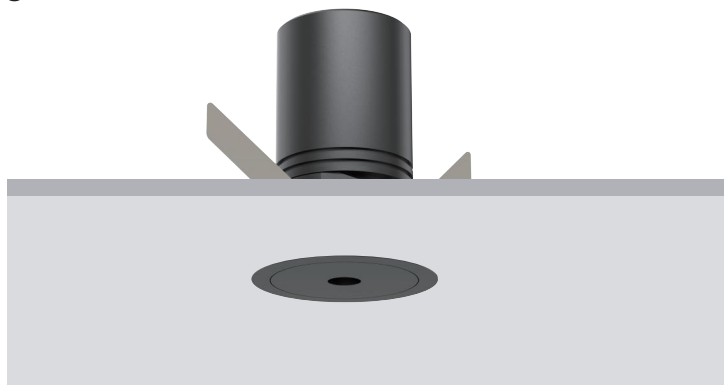
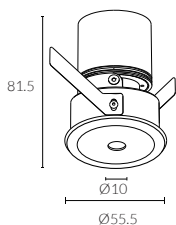
ACME PINHOLE

Φ50 Engine

Mini-Trim Fixed Round Downlight



cutout:50mm



bezel | baffle



Black Painted
9005



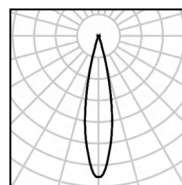
White Painted
9016

| | |
|-------------------|--|
| IP Rating: | Front IP44, optional IP65 |
| Optics: | 28°/33° |
| UGR: | <10 |
| CRI: | 98Ra |
| Lifetime: | >50,000 hrs (L70 B10) |
| CCT: | 2700K/3000K/3500K/4000K 1800-3000K(Warm Dim), 2700K - 6000K (Tunable White) |

| | |
|-------------------------|---|
| Typical Source | |
| Efficacy (lm/W): | 110 |
| Control: | On/off, Mains Dim, 0/1-10V, Dali, Zigbee, Casambi |
| Binning | 2 Step MacAdams |
| Input: | AC220-240V 50/60Hz |
| Output: | DC 36V 150mA 6W DC 36V 200mA 8W |
| Ambient temp: | -20 °C to 45 °C |

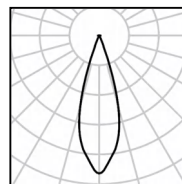
| | |
|------------------------------|--|
| Class: | II |
| Optional accessories: | Honeycomb louvre, Solite Lense, Spread Lense, Colour Filter |

| | |
|---------------------------|---|
| Ceiling Thickness: | 9mm-28mm |
| Material: | Fine aluminium 6063A |
| Certification : | CB/CE/UKCA/GLOBAL MARK/60-MINUNTE FIRE RESISTANCE |



8W Ra98 3000K 28°

| h(m) | E(lx) | D(m) |
|------|-------|------|
| 0.5 | 2921 | 0.25 |
| 1.0 | 730 | 0.50 |
| 1.5 | 325 | 0.75 |
| 2.0 | 183 | 1.00 |
| 2.5 | 117 | 1.25 |
| 3.0 | 81 | 1.50 |



8W Ra98 3000K 33°

| h(m) | E(lx) | D(m) |
|------|-------|------|
| 0.5 | 2392 | 0.29 |
| 1.0 | 598 | 0.58 |
| 1.5 | 266 | 0.88 |
| 2.0 | 149 | 1.17 |
| 2.5 | 96 | 1.46 |
| 3.0 | 66 | 1.75 |



DuraGreen project:
Rimadesio Showroom



| W system | lm system | optics | code |
|-----------------|------------------|---------------|--------------------|
| 6W | 258 | 28° | AFL5006W-P-30N28-B |
| 6W | 295 | 33° | AFL5006W-P-30N33-B |



| W system | lm system | optics | code |
|-----------------|------------------|---------------|--------------------|
| 8W | 318 | 28° | AFL5008W-P-30N28-B |
| 8W | 356 | 33° | AFL5008W-P-30N33-B |